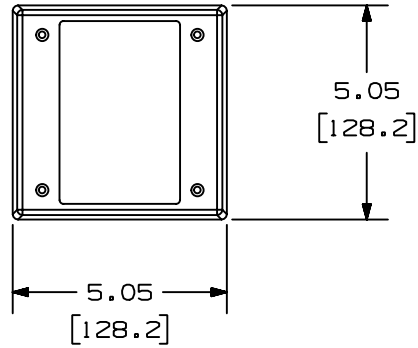


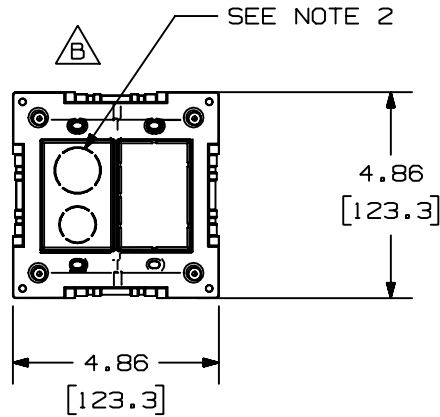
THIS COPY IS PROVIDED ON A RESTRICTED BASIS AND IS NOT TO BE USED IN ANY WAY DETRIMENTAL TO THE INTERESTS OF PANDUIT CORP.



| PANDUIT P/N | WEIGHT |
|-------------|----------------------------------|
| JBP2 | 2.4 LB/10 PCS (1089 g/10 PCS) |

NOTES:

1. SEE CURRENT CATALOG FOR ADDITIONAL PART SUFFIXES TO INDICATE COLOR AND OR PACKAGE QUANTITY.
2. CONCENTRIC BREAKOUTS TO ACCOMMODATE CONDUIT SIZES OF 1/2" AND 3/4" DIAMETERS.
3. BREAKOUTS ARE PROVIDED ON ALL FOUR SIDES OF COVER.
4. DIMENSIONS IN PARENTHESES ARE IN METRIC.



CAD FILENAME/LAYERS D35677BF_DC_JBP2_02

PANDUIT CORP. TINLEY PARK, ILLINOIS

PAN-WAY 2 GANG SHALLOW JUNCTION BOX (JBP2) CUSTOMER DRAWING

UNLESS OTHERWISE SPECIFIED, DIMENSIONAL TOLERANCES ARE:
(.X) ± (.XXX) ±
(.XX) ± .030 (.8) ANGLES ±

UNLESS OTHERWISE SPECIFIED, ALL DIMENSIONS ARE GIVEN IN INCHES, THIRD ANGLE PROJECTION.

| REV | DATE | BY | CHK | DESCRIPTION | ECN | CHK | CUST | SUP |
|-----|----------|----------|-----|--------------------------------------|----------|-----|------|-----|
| 2 | 01-12-00 | JHNUJAWA | | B. REVISED GEOMETRY FOR T45 BREAKOUT | 35677-06 | HIW | HIW | |
| 1 | 12-21-98 | DW | HIW | A. MATERIAL WAS ABS/PC. | 35677-06 | HIW | HIW | |
| R | 10-29-97 | DW | HIW | RELEASED TO PRODUCTION. | 35677-06 | HIW | HIW | |

DRAWN BY DW
DATE 10-29-97
CHECKED BY HIW

MAT'L: PVC

SCALE NONE
DRAWING NO. 35677-06
DWG SIZE A